



# VEGETABLE PREPARATION MACHINE CA-21

Compact, 1-speed vegetable slicer.



DYNAMIC PREPARATION  
COMMERCIAL VEGETABLE PREPARATION MACHINES

## SALES DESCRIPTION

Compact ACTIVE line. 1-speed motor block + vegetable slicer attachment.

### A perfect cut

- ✓ High precision settings and comprehensive cutter and disc design aimed at obtaining a perfect cut.
- ✓ Gravity product expulsion ramp allow to reconstruct the sliced product for storing or presentation purpose. (Watch video)
- ✓ Ejection disc included for the products that require its use.
- ✓ Can be fitted with a wide range of discs and grids of the highest cutting quality.
- ✓ Combining these accessories together to obtain more than 35 different types of cuts and grating grades.  
Possibility of extending its functionality by adding the cutter bowl with blades.

### Built to last

- ✓ Sturdy construction in food-grade best quality materials.
- ✓ High power asynchronous motor.

### Maximum comfort for the user

- ✓ Ergonomic design: product sliced in one single movement.
- ✓ Lateral product output: requires less space on the worktop and guides the product, avoiding splashes.
- ✓ Adjustable product ejection direction to adapt to the workflow in the preparation area.
- ✓ Recessed cored relief allows for any position in the kitchen, side walls, back wall, light and compact, this machine can fit.
- ✓ The electronic command panel is very intuitive.

### Maintenance, safety, hygiene

- ✓ Lever and lid easily removable for cleaning purposes.
- ✓ Stainless steel, dishwasher-safe discs. The removable blades allow

- for an even more thorough and efficient cleaning.
- ✓ Combination of safety systems: head, cover, power switch.
- ✓ Complete error warning system.
- ✓ Appliance certified by NSF International (regulations on hygiene, cleaning and materials suitable for contact with foods).
- ✓ 100% tested.

## INCLUDES

- ✓ 1-speed motor block.
- ✓ Vegetable slicer attachment.
- ✓ Gravity product expulsion ramp.
- ✓ Ejection disc.

## OPTIONAL

- Cutter bowl.
- Hub with smooth blades.
- Hub with toothed blades.
- Hub with perforated blades.

## ACCESSORIES

- Cutter bowl
- FCS slicing discs
- FCOS rippled slicing disc
- FMS dicing grid
- FFS chipping grid
- FCES julienne discs
- SHS shredding & grating discs
- Hubs with blades
- Disc and grid packs

## SPECIFICATIONS

**Hourly production:** 50 kg - 350 kg

**Inlet opening:** 89 cm<sup>2</sup>

**Disc diameter:** 180 mm

**Motor speed:** 1500 rpm

### Loading

Total loading: 800 W

**Noise level (1m.):** <70 dB(A)

**Background noise:** 32 dB(A)

### External dimensions (WxDxH)

Width: 378 mm

Depth: 309 mm

Height: 533 mm

**Net weight:** 15.2 kg

### Crated dimensions

285 x 385 x 714 mm

Volume Packed: 0.8 m<sup>3</sup>

Gross weight: 19.5 kg

## AVAILABLE MODELS

1050940 Vegetable preparation machine CA-21 230/50/1

1050942 Vegetable preparation machine CA-21 230/50/1 UK

1050946 Vegetable preparation machine CA-21 220/60/1

1050952 Vegetable preparation machine CA-21 120/60/1

1050954 Vegetable preparation machine CA-21 2D 120/60/1 · 2 discs included

\* Ask for special versions availability



product sheet  
updated 20/11/2023

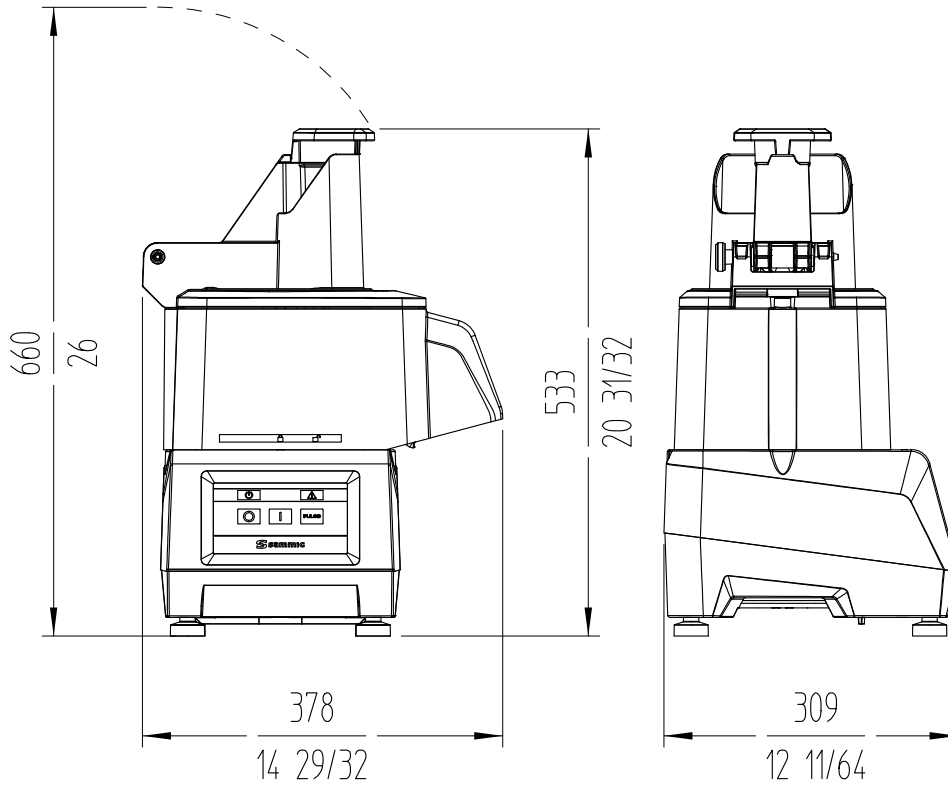


# VEGETABLE PREPARATION MACHINE CA-21

Compact, 1-speed vegetable slicer.



DYNAMIC PREPARATION  
COMMERCIAL VEGETABLE PREPARATION MACHINES



 **sammic** | [www.sammic.com](http://www.sammic.com)  
Food Service Equipment Manufacturer

Polígono Basarte, 1.  
20720 Azkoitia, Spain

phone +34 943 15 72 36  
[sales@sammic.com](mailto:sales@sammic.com)



Project	Date
Item	Qty
Approved	

product sheet  
updated 20/11/2023